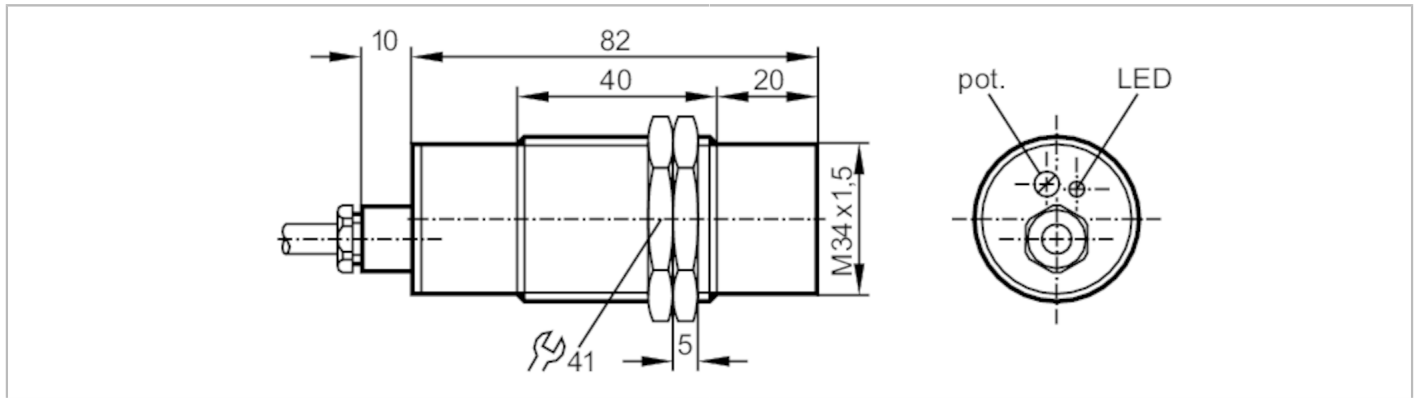


KX5002



Capacitive NAMUR sensor

KX-2015-N/NI/6M/1D/1G



Product characteristics

Electrical design		NAMUR
Output function		normally closed
Sensing range	[mm]	15
Housing		Threaded type
Dimensions	[mm]	M34 x 1.5 / L = 92

Electrical data

Connection at circuit amplifier		yes
Switching amplifiers		connection to certified intrinsically safe circuits with the max. values: U = 15 V / I = 50 mA / P = 120 mW
Nominal voltage DC	[V]	8.2; (1kΩ)
Supply voltage DC	[V]	7.5...15
Current consumption	[mA]	< 1; (disabled; conductive: > 2,2)
Protection class		I
Measuring principle		capacitive

Outputs

Electrical design		NAMUR
Output function		normally closed
Switching frequency DC	[Hz]	40

Monitoring range

Sensing range	[mm]	15
Sensing range adjustable		yes
Factory setting sensing range	[mm]	15

Accuracy / deviations

Correction factor		glass: 0.4 / water: 1 / ceramics: 0.2 / PVC: 0.2
Hysteresis	[% of Sr]	1...15
Switch-point drift	[% of Sr]	-15...15

Operating conditions

Ambient temperature	[°C]	-20...60
Protection		IP 65

KX5002



Capacitive NAMUR sensor

KX-2015-N/NI/6M/1D/1G

Tests / approvals		
Approval	DMT 01 ATEX E 020	
ATEX marking	II 1G Ex ia IIB T6 Ga	
	II 1D Ex ia IIIC T90 °C Da	
EMC	EN 60947-5-2	
MTTF [years]	838	
Safety classification		
Max. internal capacitance [nF]	375.64	
Max. internal inductance [µH]	3	
Mechanical data		
Weight [g]	650.5	
Housing	Threaded type	
Mounting	non-flush mountable	
Dimensions [mm]	M34 x 1.5 / L = 92	
Thread designation	M34 x 1.5	
Material	brass white bronze coated; sensing face: PTFE	
Displays / operating elements		
Display	Switching status	1 x LED, yellow
Remarks		
Pack quantity	1 pcs.	
Electrical connection		
Cable: 6 m, PVC; 3 x 0.5 mm ²		
Connection		

